

BERT | FRANK



COLT

COLT SINGLE PENDANT

Crafted from heavyweight, machined brass. Sleek slotted diffuser casts soft light to ceiling and floor. Extremely versatile, with an integral LED light source.



PRODUCT CODE

CLT0010 - Colt Single Pendant

MATERIALS

Brass

FINISHES

Brushed brass lacquered as standard
Custom finishes available

DIMMING

Mains dimmable / TRIAC as standard
DALI / 1-10v available - requires external driver

LIGHT SOURCE

1x LED Module - 15.5W 24V 2700K

DRIVER

230V - 1 x 20W LED Integrated driver

110V - 1 x 30W LED External driver

WEIGHT

4.5kg net, 5.5kg gross

CEILING CANOPY

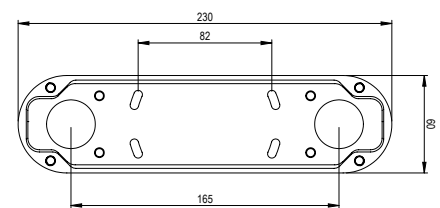
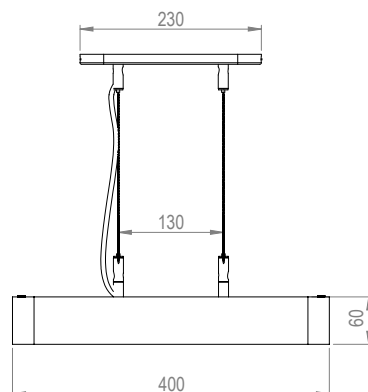
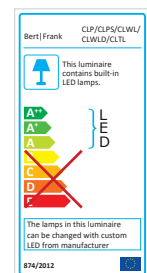
1 x Brushed brass canopy - 230 H x 60 W
brushed brass 4in J-box plate available

SUSPENSION

200cm Adjustable steel suspension cable with
clear electrical cord as standard
Additional length available
Custom cord available

DESIGN NOTES

Depending on environment and décor, Colt can look super-sleek and sophisticated or approaching heavy metal brutalist. It always likes to take centre stage.



CEILING PLATE

